

PERSONALITY MODULE

for **ARGO4000**



*Input/Output interfaces customization and
Aiding Sensors for ARGO 4000 INS Family*



PERSONALITY MODULE for ARG O 4 0 0 0 is a flexible add-on interface for expanding ARG O 4000 interfaces and aiding sensors capabilities.

Ideal for retrofit program where personality module can be designed as Form Fit Function mechanical and electrical interfaces expanding the all digital ARINC or RS422 serial input/output interfaces of ARG O 4000 with analog, Synchro or MIL-1553B interfaces.

Also embedded GNSS receivers can be integrating and coupled to the Inertial Navigation System in a loosely or tightly fashion providing a combines EGI solution (Embedded GNSS INS).

SYSTEM CHARACTERISTICS

Interfaces

- RS422/RS232
- MIL-1553B
- Synchro (optional)
- PPS OUT
- Data output rate: *up to 500 Hz*

Environmental and Reliability

- Operating Temperature: *-40°C to +71°C*
- Not-operating Temperature: *-55°C to +85°C*
- Altitude: *up to 50,000 ft*
- EMC/EMI: *DO-160G*
- Vibration: *sinusoidal 5-150 Hz*
random 10-2000 Hz (DO-160G)
- MTBF: *> 25000 hours*

Dimensions

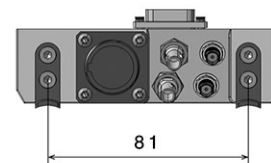
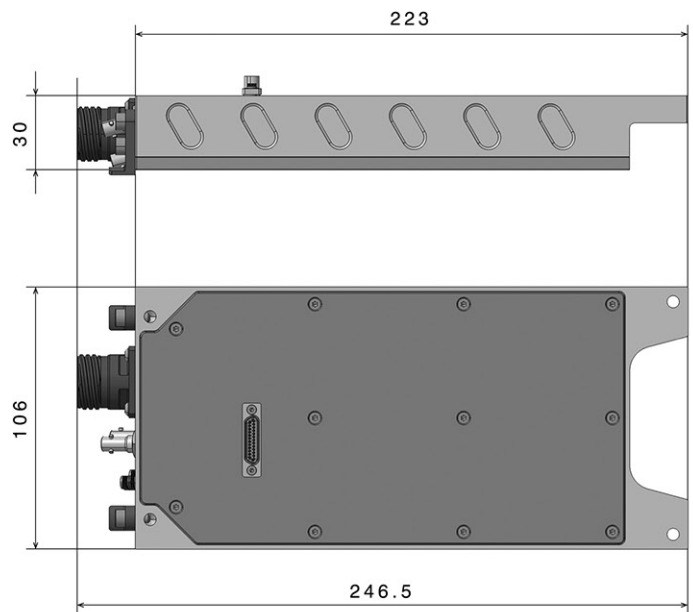
WxHxD: *106x30x246.5*

Weight

1.5 Kg

Power requirements

- 28VDC (18-36VDC): *< 5 W (configuration dependent)*
- 115AC/400Hz (Synchro Option): *configuration dependent*



Civitanavi Systems S.r.l.

Headquarter

Via del Progresso 5
63827 Pedaso (FM)
ITALY

Rome Office

Via Pontina Vecchia Km 34
00040 Ardea (Roma)
ITALY



www.civitanavi.com

Contact

phone: +39 0733 773 648
fax: +39 0733 199 7156
marketing@civitanavi.com